



# In- Metal Wedge Tag

## Model: Embeddable/ In- Metal\_ UME-10mm

### 1. Introduction

The Wedge Tag 10mm is an embeddable tag that can be placed in a metal cavity. The ribs on the circular edge increase its friction with the hole surface and prevent it from falling out. Therefore, it does not need any type of glue for fixing. It is easy to install by hammer tool.



### 2. Available IC

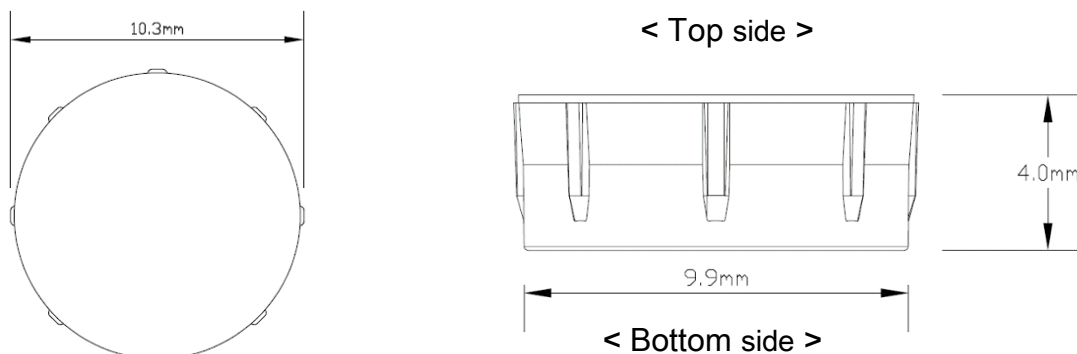
I.CODE series, Ucode 8, others upon request

### 3. Data Sheet

Item	Specification
Radio Protocol	EPC Class 1 Gen2
Operating Frequency	13.56 MHz & 860MHz-960MHz
Read Range-Handheld Reader (UHF)	Up to 0.4M
Read Range-Fixed Reader (UHF)	Up to 0.6 M
Material	PC/PBT
Storage Temperature	-40°C to +125°C
Operating Temperature	-40°C to +85°C
International Protection	IP68
Dimension	10(D) x 4(T) mm
Polarization	Linear

\* The chip data retention is up to 20 years at ≤ +55° C and write endurance is 100,000 cycles based on chip operating under general environment conditions.

### 4. Dimension





## 5. Installation Guide

- A. Drill a blind hole with recommended diameter = 10mm and depth = 4mm on object/base by drilling machine. This tag is optimized for metal object and also suit for plastic or wood base.
- B. Clean the hole.
- C. Place the tag into the hole with top side facing up. Lower part of tag would embed into the hole.
- D. Press the tag carefully into the hole by thumb or hammer (use flat head side).
- E. Make sure the tag can fully embed into the hole.

