



Anti-Rust Bolt Tag

Feature: Robust, Weather-resistant, High-tensile strength

1. Introduction

With an RFID tag mounted into the bolt head, the installation is simply screwing it into metal. It is Flange Bolt/ Hex Drive/ M12x1.75 Metric Coarse/ Material Grade 10.9. The bolt is processed by phosphate & oil finish coating so the surface is anti-corrosion. Suitable for outdoor application with high and low temperature resistance.



2. Available IC

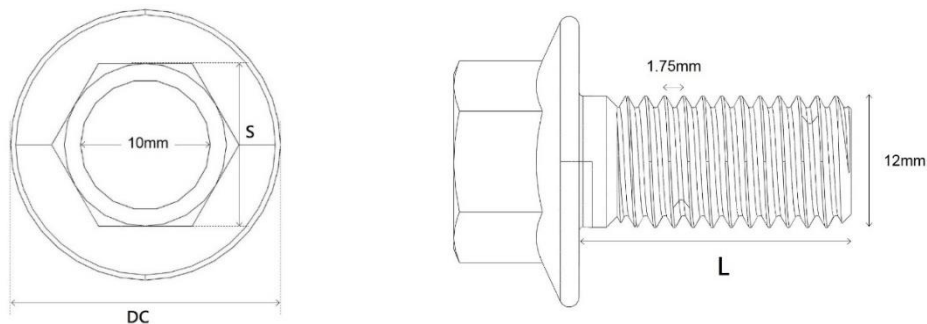
NXP Ucode 8, others upon request

3. Data Sheet

Item	Specification
Radio Protocol	EPC Class 1 Gen2
Operating Frequency	865-868MHz(EUR), 902-928MHz(US)
Material	Medium carbon steel(bolt); PBT+fiber (tag)
Available IC	NXP Ucode 8, others upon request
Storage Temperature	-40°C to +150°C
Operating Temperature	-40°C to +85°C
Tag	10(D)x 4(T)
Bolt	M12x1.75 Metric Coarse.
Polarization	Linear

* The chip data retention is up to 20 years, based on chip operating under general environment conditions.

4. Dimension



* DC, S and L are based on individual requirements.